

EN DOOR KIT INSTALLATION MANUAL

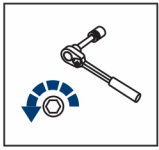
DE MONTAGEEINLEITUNG TÜREN SET



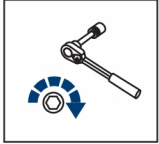
For: CFMOTO UForce 1000 EPS (2019-)
CFMOTO U10 EPS (2019-)

2444.6891.1
444.6891.1





EN Regular fasteners
DE Originale montageile



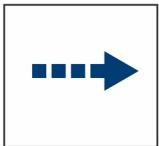
EN Regular fasteners
DE Originale montageile



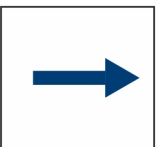
EN Screw a several turns
DE Für wenigen Umdrehungen befestigen



EN Loosen bolts
DE Bolzen lockern



EN Movement Arrow
DE Bewegungsrichtung

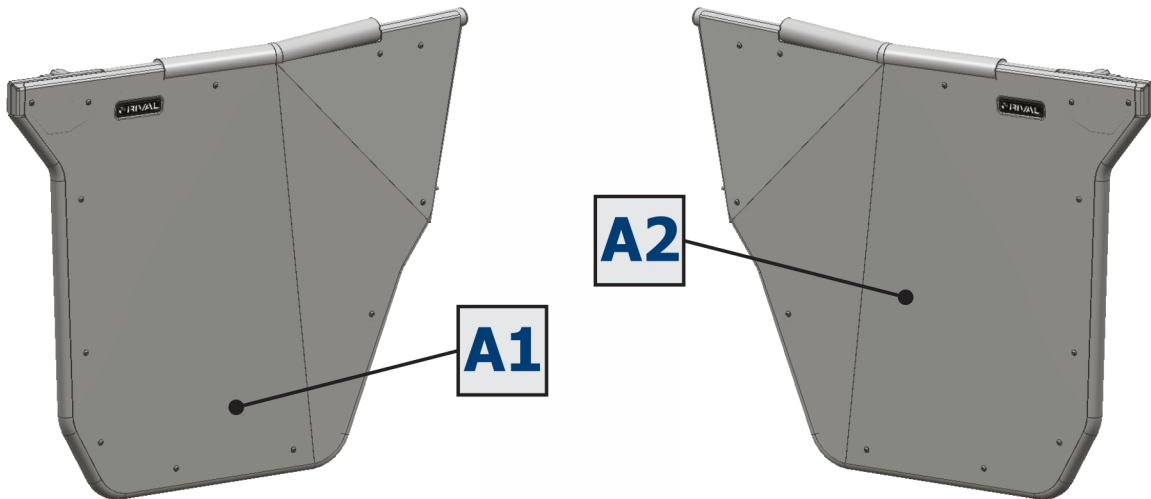


EN Location/Position Arrow
DE Anordnung/Positionsrichtung

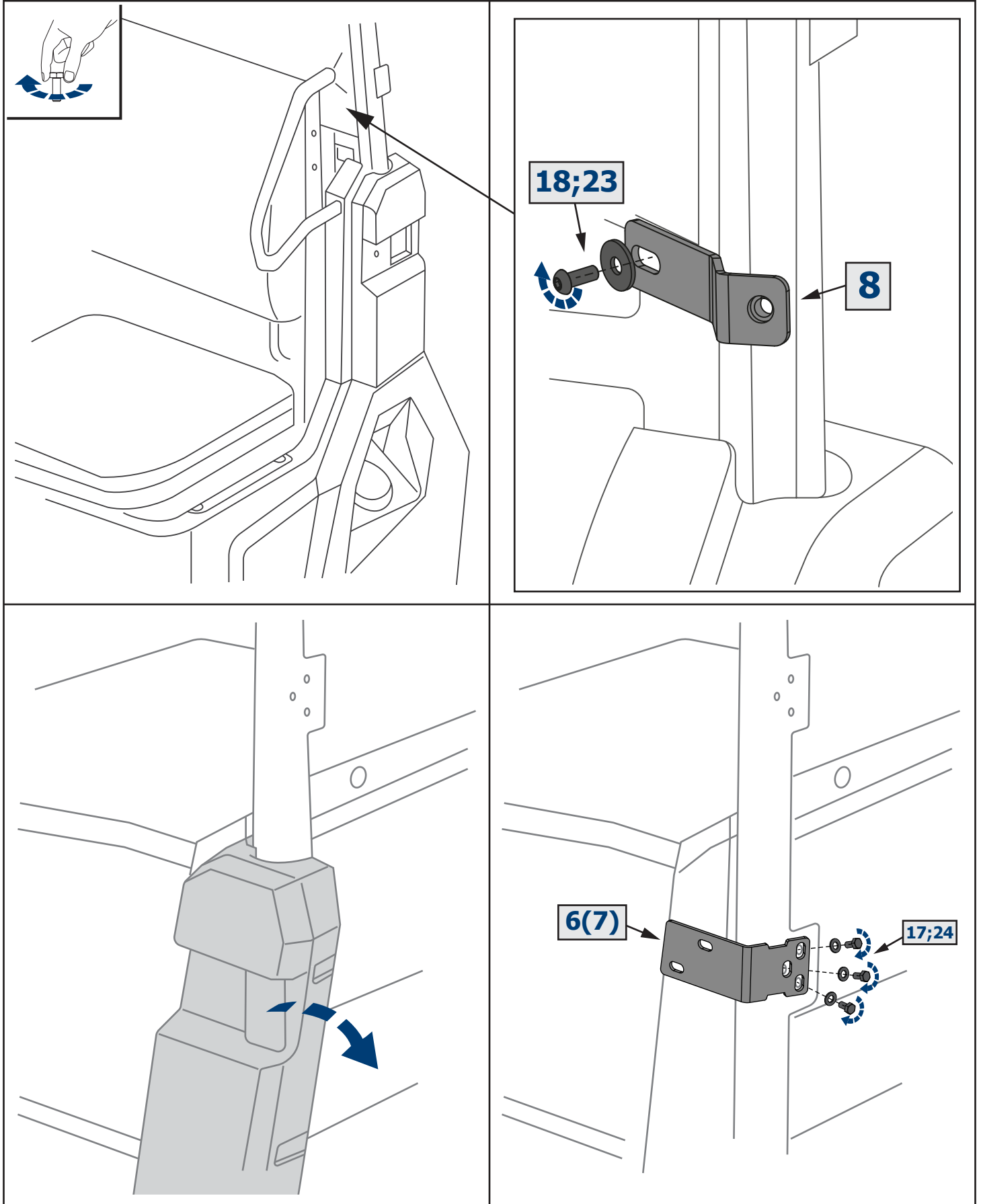


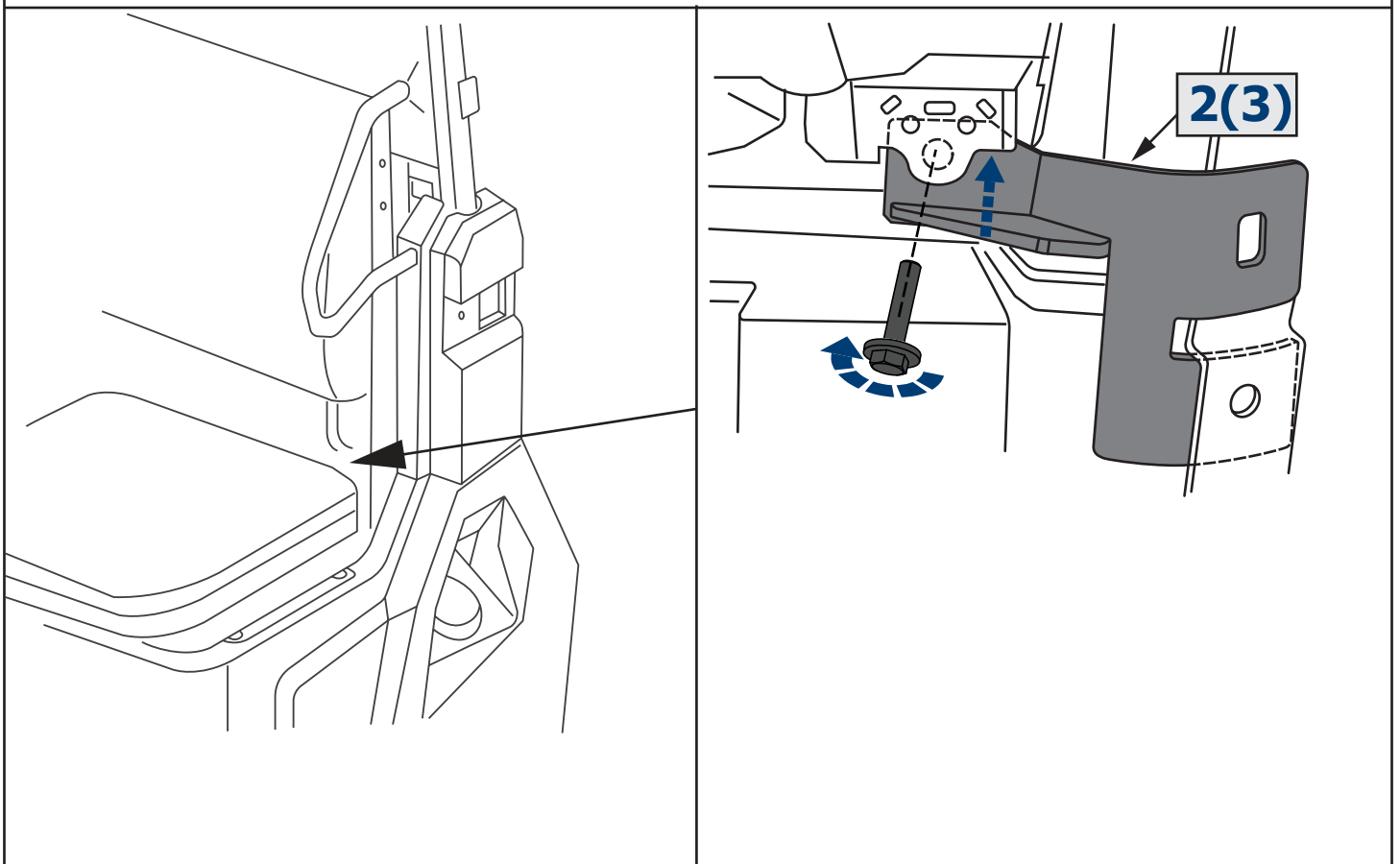
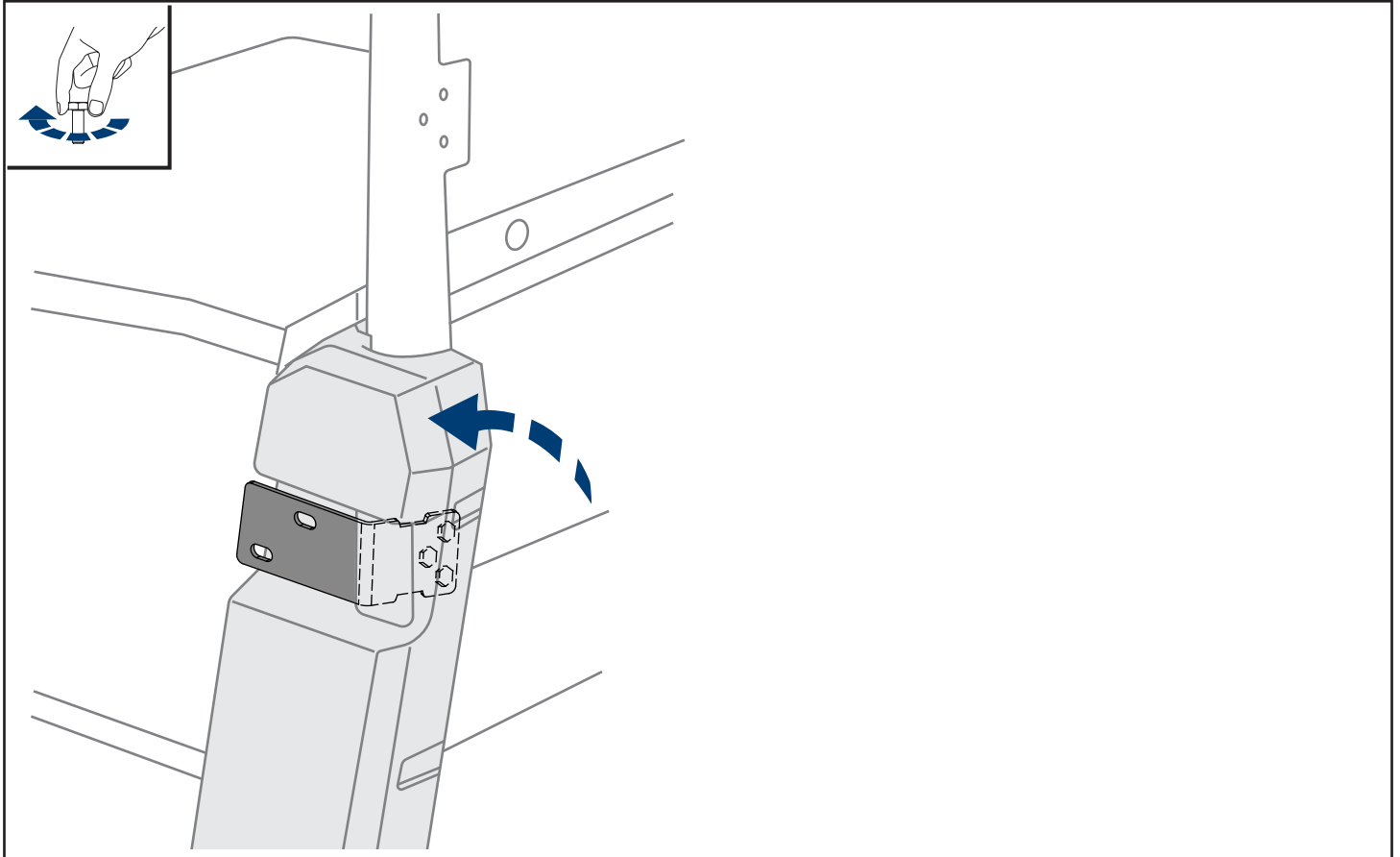
EN Screw Arrow
DE Drehungsrichtung

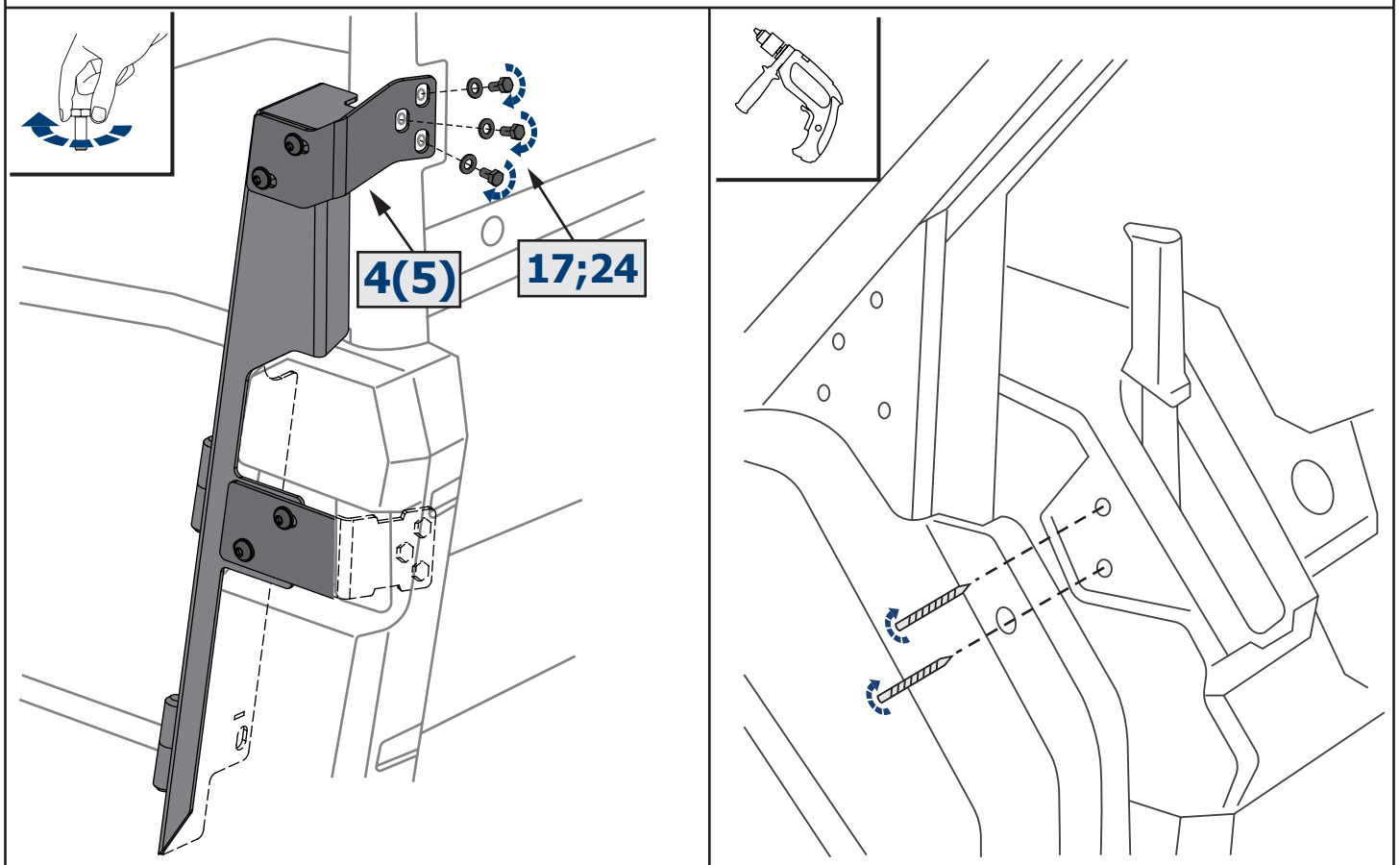
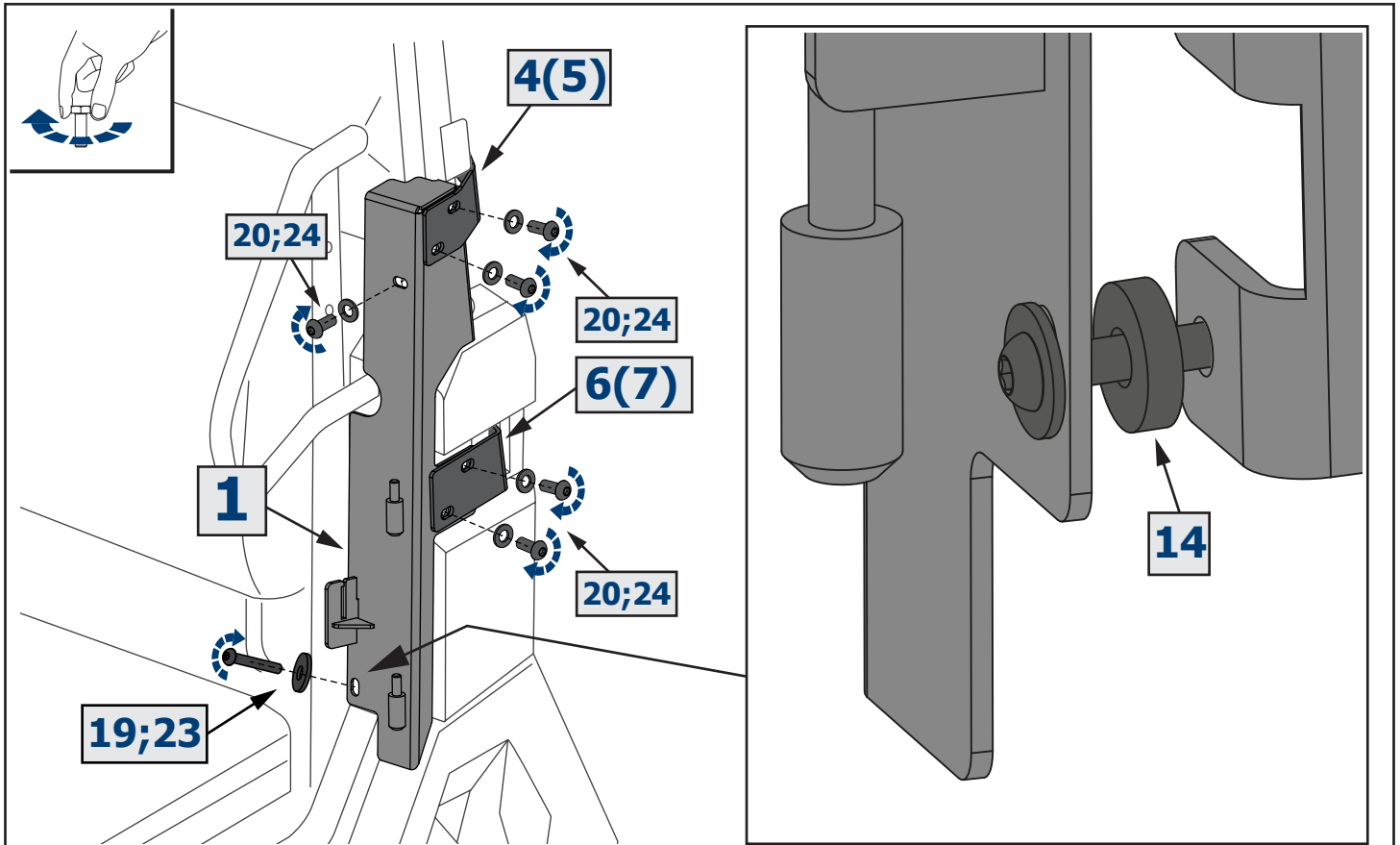
<p>EN Ratchet DE Ratsche</p>	<p>S - 13</p>	<p>HEX</p>	<p>EN Drill DE Bohrer</p>	<p>Ø 10 mm</p>
----------------------------------	---------------	------------	-------------------------------	----------------

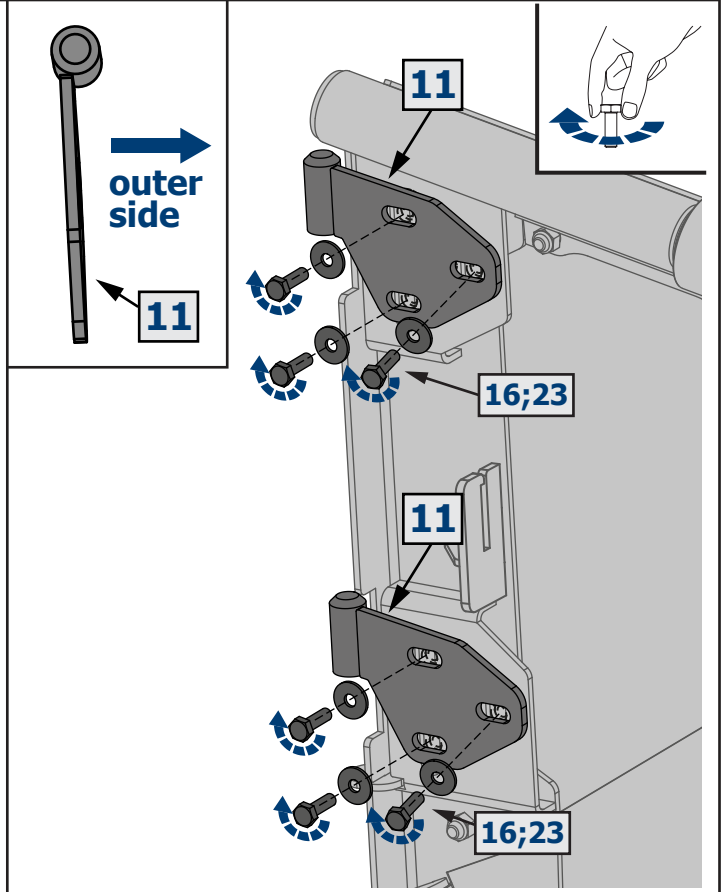
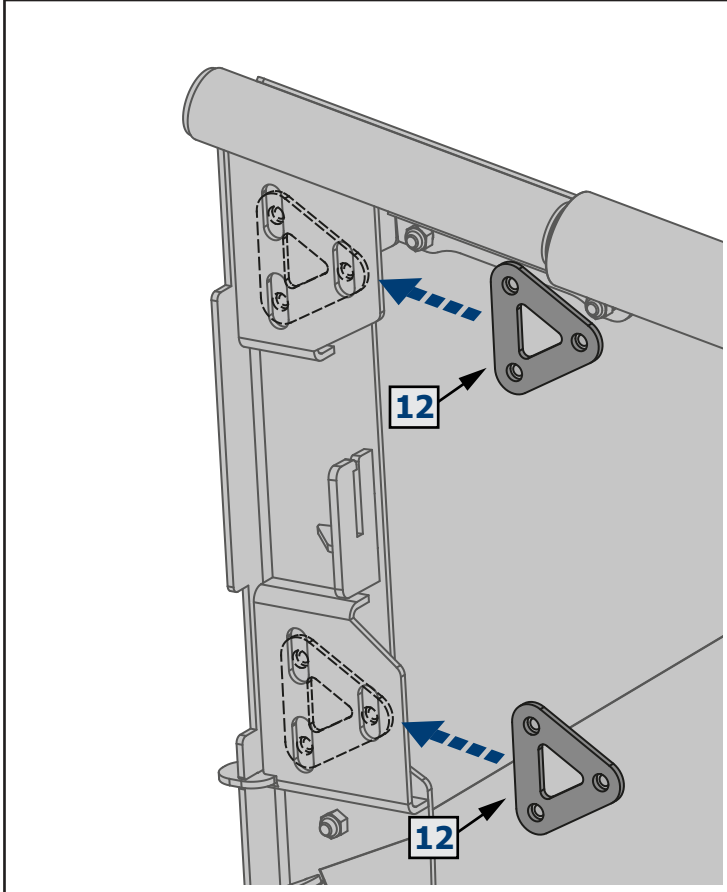
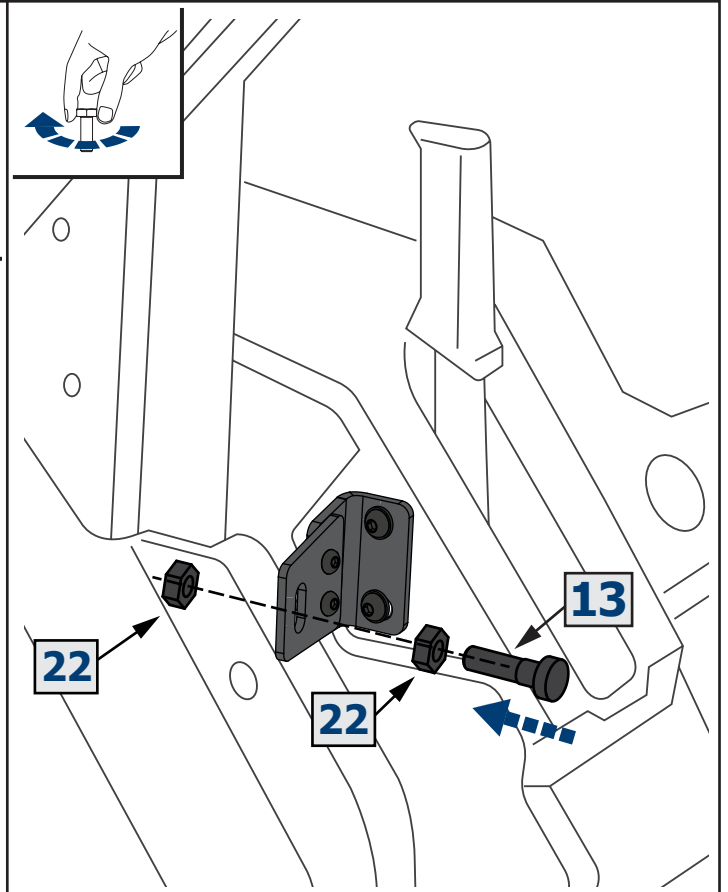
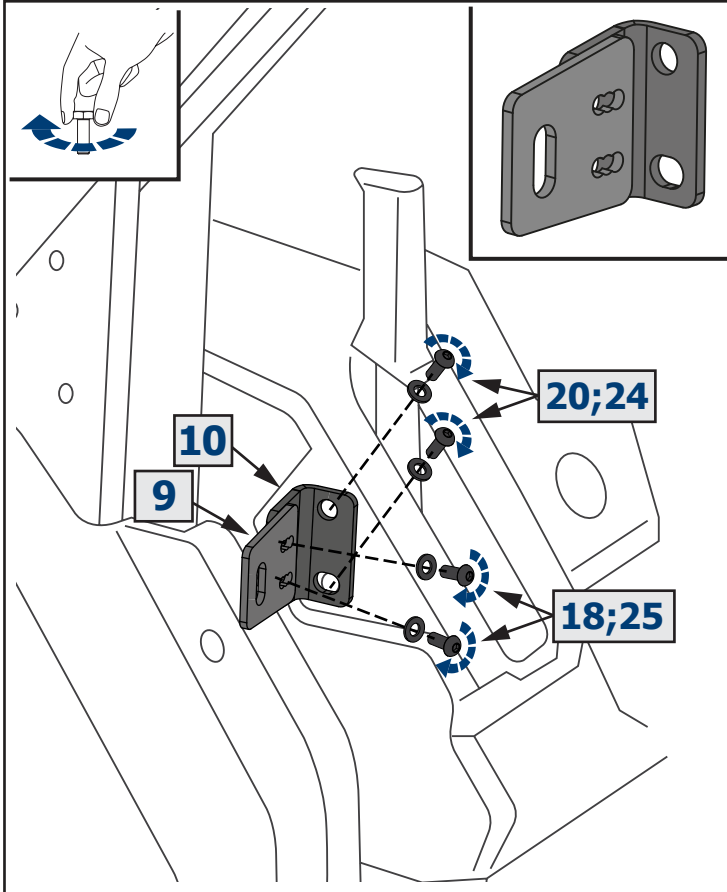


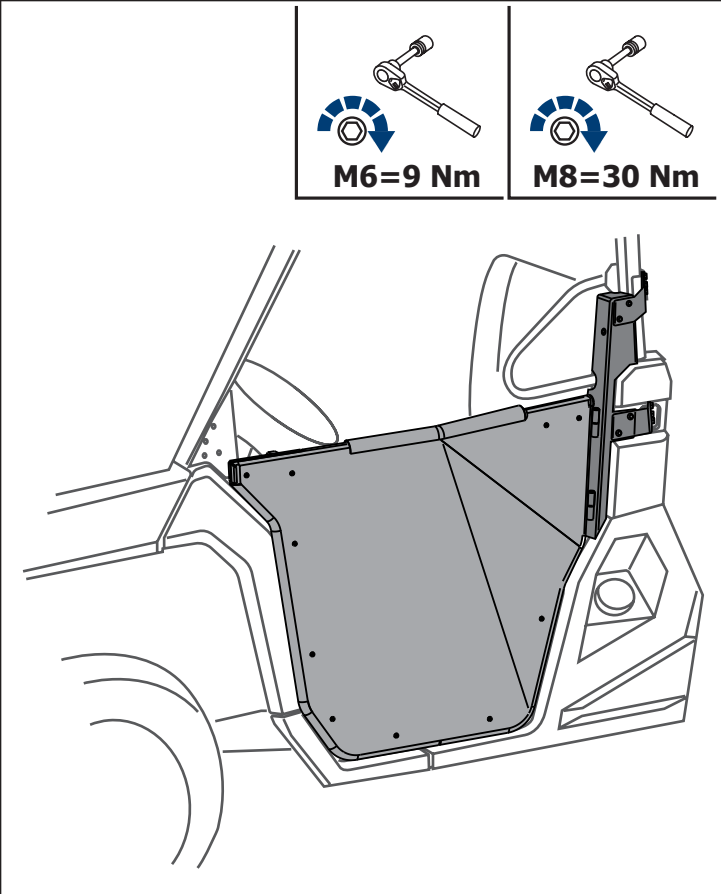
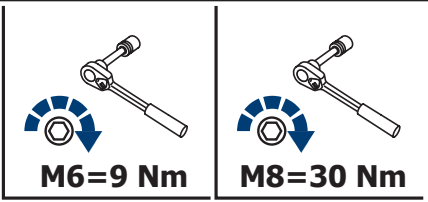
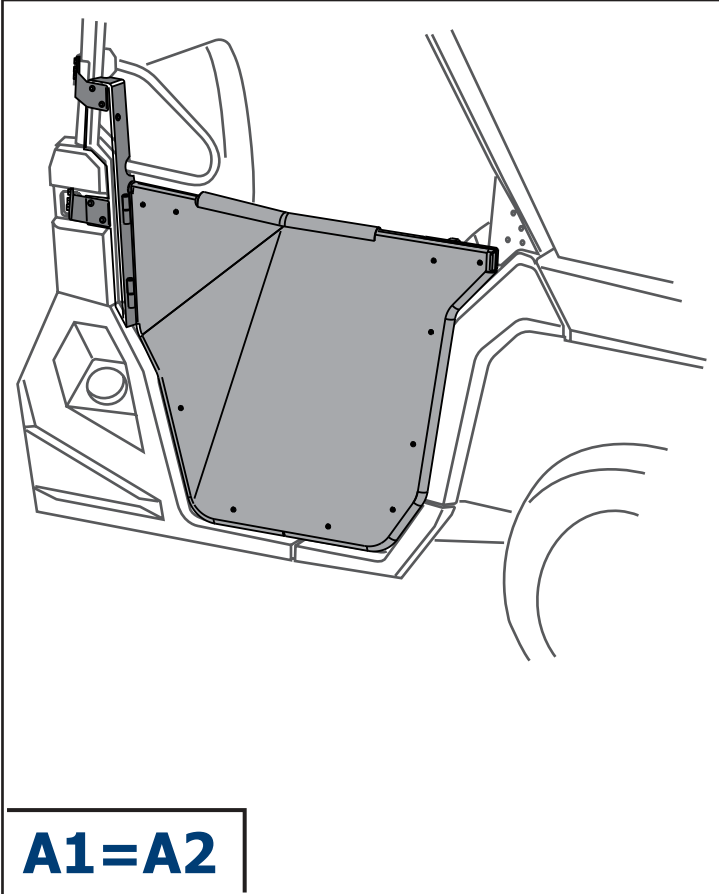
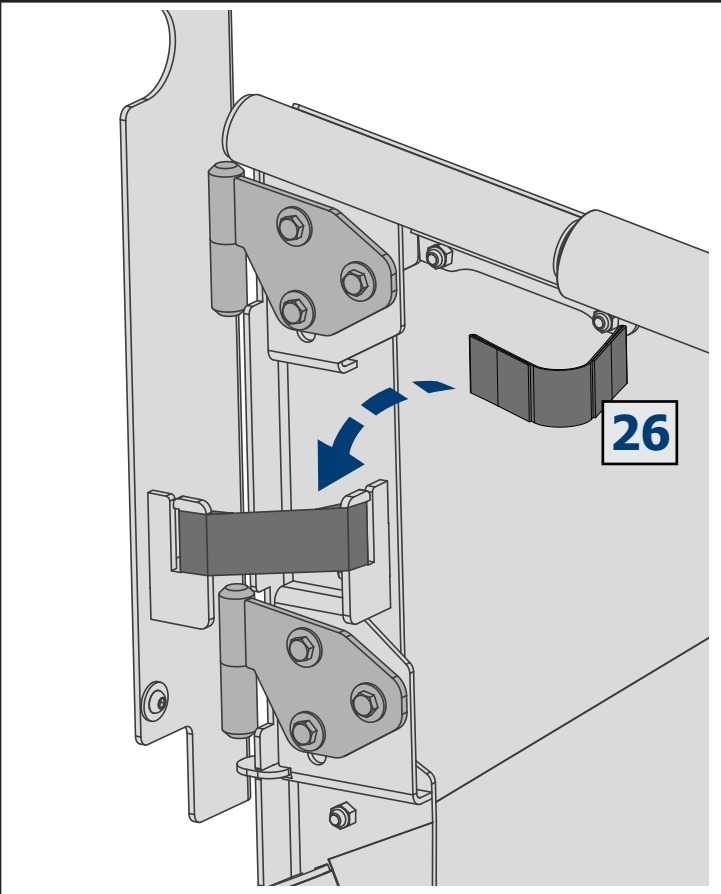
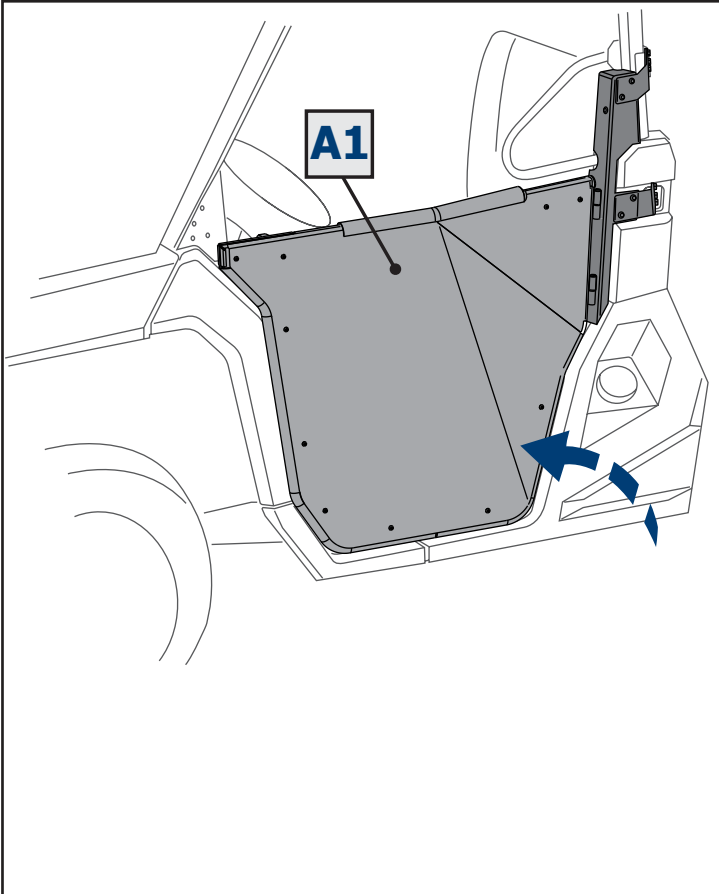
<p>1</p> <p>x2</p>	<p>2</p> <p>x1</p>	<p>3</p> <p>x1</p>	<p>4</p> <p>x1</p>	<p>5</p> <p>x1</p>	<p>6</p> <p>x1</p>
<p>7</p> <p>x1</p>	<p>8</p> <p>x2</p>	<p>9</p> <p>x2</p>	<p>10</p> <p>x2</p>	<p>11</p> <p>x4</p>	<p>12</p> <p>x4</p>
<p>13</p> <p>x2</p>	<p>14</p> <p>x2</p>	<p>16</p> <p>M6x20 x12</p>	<p>17</p> <p>M8x16 x12</p>	<p>18</p> <p>M6x16 x6</p>	<p>19</p> <p>M6x35 x2</p>
<p>20</p> <p>M8x20 x14</p>	<p>21</p> <p>Ø6 x6</p>	<p>22</p> <p>Ø10 x4</p>	<p>23</p> <p>Ø6 x16</p>	<p>24</p> <p>Ø8 x32</p>	<p>25</p> <p>Ø6 x4</p>
<p>26</p> <p>x2</p>					











A1=A2